

## Order Form

### KM-AT60

User Name:

Customer Name:

Delivery Address:

Order No:

Tel - No:

Order Date:

Expected Delivery Date:

### Wheelchair Measurements

- Seat Width (SW)  15"  15.5"  16"  16.5"  17"  17.5"  18"
- Seat Depth (SD)  14"  14.5"  15"  15.5"  16"  16.5"  17"  17.5"  18"  18.5"  19"  19.5"  20"
- Height Adjustable Backrest (HAB) With Short Tubes  12" - 15" With Middle Tubes  14" - 17" With Long Tubes  16" - 19"
- Backrest Angle (BA)  72°  84°  96°  108°
- Calf Length (CL)  13"  13.5"  14"  14.5"  15"  15.5"  16"  16.5"  17"  17.5"  18"  18.5"  19"
- Front Seat Height (FSH)  18"  18.5"  19"  19.5"  20"  20.5"  21"  21.5"  22"  22.5"  23"
- Rear Seat Height (RSH)  16"  16.5"  17"  17.5"  18"  18.5"  19"  19.5"  20"  20.5"  21"  21.5"  22"
- Footrest Hinge (FH)  With  Without (Footrest Hinge is not available in America and Europe)
- Rear Wheel Camber (RWC)  0°  3°  5°  7°

### Colors

- Frame Colors  Silver Metalline  Swan Yellow  
 Rose Red  Gem Blue  Polished
- Seat Colors  Black

### Wheels

- Front Casters (PU)  5"
- Rear Wheels (24")

Spoke



Magnesium



Carbon Fiber

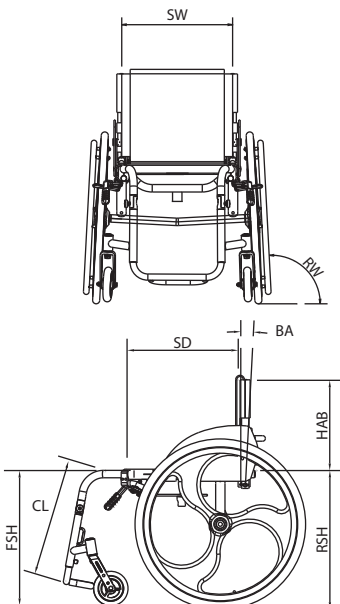
Black

Yellow Gradually Black

Blue Gradually Black

Zebra

### Dimensions



### Selective Accessories

- Push Handles  Adjustment  Clip-on  
 Without
- Brakes  Scissor  
 Without
- Anti-tippers  Without  With

- Other
- Leg-tube Protector
- Spoke Guard
- 5cm Cushion

### Note

Calf length is corresponds to seat height

Seat Height	Calf Length
18"	13" ~ 16"
19"	14" ~ 17"
20"	15" ~ 18"
21" ~ 23"	16" ~ 19"

### Memo

Standard ( if no requests are indicated )  Optional ( extra charge )  Optional ( free of charge )

( The order form could be changed without prior notice )